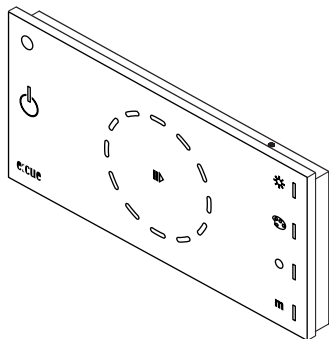


# e:cue

L I G H T I N G   C O N T R O L

## light-drive elite

Setup Manual



light-drive elite - Setup Manual  
© e:cue control GmbH  
An OSRAM Company  
Rev. 1\_06/2009



## table of contents

1. Device Overview .....	4
2. Included in the Package .....	5
3. Hardware Installation .....	6
3.1 Mounting .....	6
3.2 Power and Data .....	8
4. Using the light-drive elite .....	9
4.1 Overview .....	9
4.2 Using light-drive elite controls .....	9
On/Off Key .....	9
Touch Wheel .....	9
Intensity Mode .....	10
Color Mode .....	10
White Mode .....	11
Memory Mode .....	11
Configuring the Spread .....	12
Replay Mode .....	12
4.3 Cleaning mode .....	13
4.4 Reset .....	13
4.4 Idle / Stand by .....	13
4.5 Remote Control .....	14
5. Technical Data .....	15
5.1 Technical specifications .....	15
5.2 Dimensions .....	16
6. Warning Notices .....	18
7. Imprint, copyright .....	19

---

# 1. Device Overview

### Light-drive

Light-drive is a new e:cue product category of devices that combine a standalone DMX controller and a user interface in a single unit. Designed to allow end-users to setup custom light scenes and color-changing effects directly on the device, light-drives are easy to use and require no software to setup light scenes. By outputting directly DMX512 protocol, light-drives can control LED fixtures through a single RJ-45 connection for power and data.

Dear valued customer,

Thank you very much for purchasing light-drive elite.

light-drive elite is a wall-mounted standalone DMX controller and interactive user interface for dynamic lighting. End-users can easily setup color changing effects and control lighting directly using the device.

The user interface features touch-sensitive keys and wheel with color LEDs for intuitive selection of colors and adjustment of intensity and speed.

Memory function allows end-users to define four colors for color-changing effects. It can be easily connected to LED RGB fixtures through an RJ-45 connection for power and data.

The interface glassy finish is designed for an elegant appearance as well as easy maintenance.

### Key features

- Standalone DMX controller and user interface
- 512 channels DMX output (RGB)
- 4 mode keys to select intensity, color, white and memory mode.
- On/off key and a play/pause key
- 4 user-defined memory slots
- 5 status LEDs
- Touch wheel with 12 RGB LEDs
- Built-in IR receiver for remote control
- Glass finish
- Ultra thin design
- Available in black or white
- Color chase on up to 12 RGB fixtures / light-points with spread effect

## 2. Included in the Package

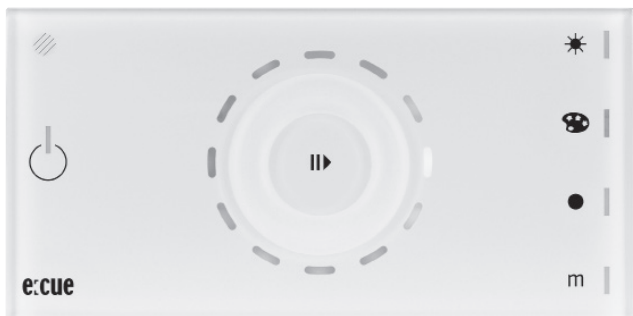
light-drive elite

black

or

white

- this setup manual
- micro fiber cloth
- hex socket screw key
- power and data merger



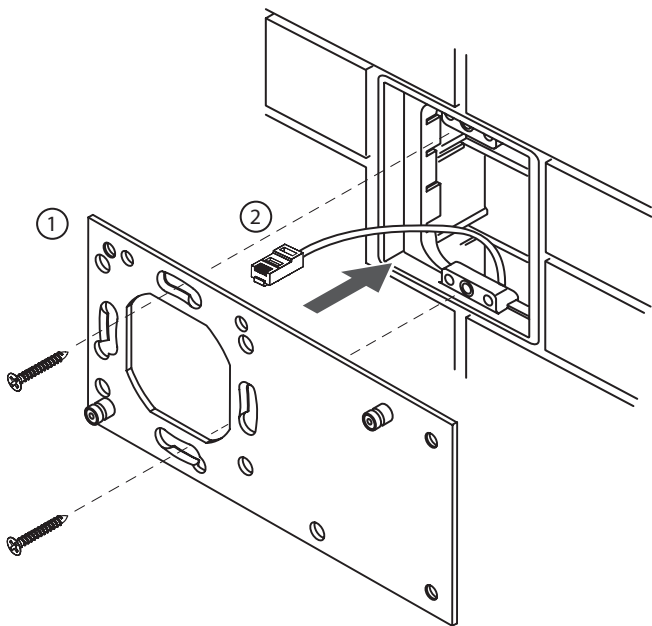
## 3. Hardware Installation

### 3.1 Mounting

The light-drive elite is designed for in-wall mounting.

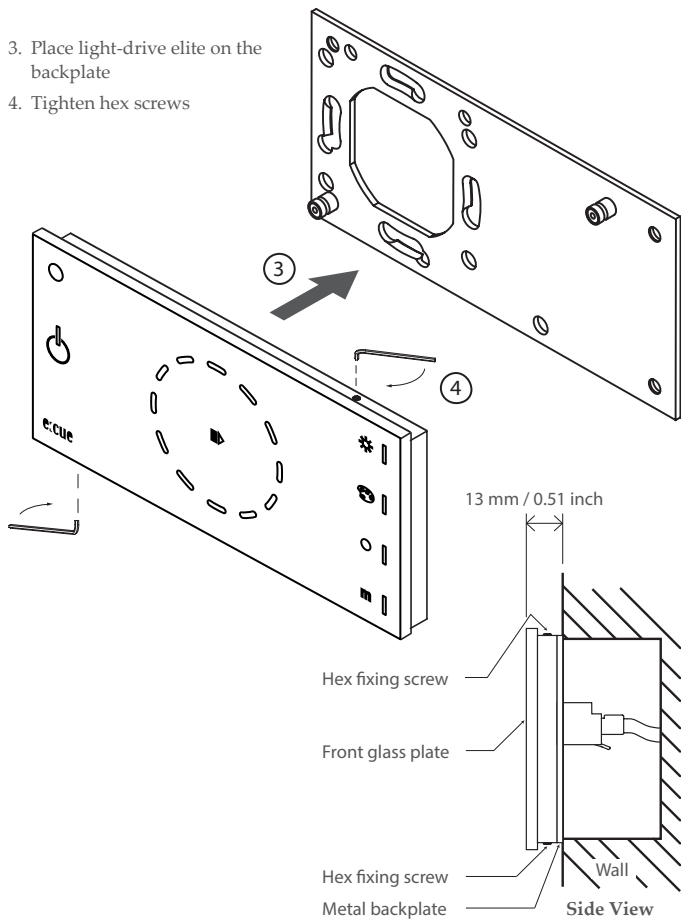
Mounting the light-drive elite:

1. Mount the backplate
2. Connect the cable



## light-drive elite - Hardware Installation

3. Place light-drive elite on the backplate
4. Tighten hex screws

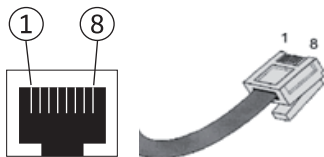


# light-drive elite - Hardware Installation

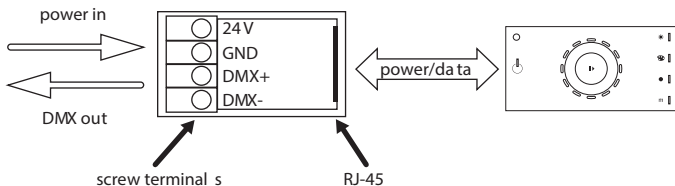
## 3.2 Power and Data

The light-drive elite has a single RJ-45 connector for power input and data output.

pin no.	signal
1	DMX -
2	DMX +
3	GND
4	nc
5	VCC in: 24V DC
6	GND
7	nc
8	nc



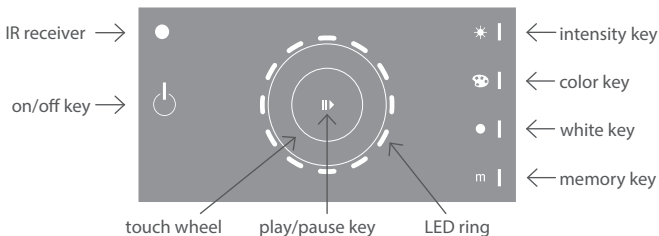
For a simple connection to LED fixtures, light-drive elite package includes a power and data merger, which combines power and data into a single cable according to the specification below.





## 4. Using the light-drive elite

### 4.1 Overview

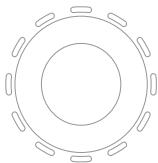


### 4.2 Using light-drive elite controls



#### On/Off Key

The on/off key turns the unit on or off. Fixtures will fade out when the device is turned off. When the device is turned on, it will start in the last used mode.



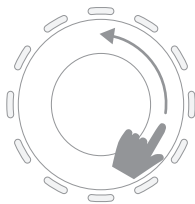
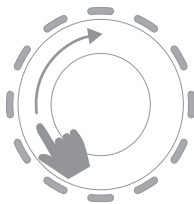
#### Touch Wheel

The touch wheel is backlit with 12 RGB LEDs and it is used to select and adjust intensity, colors, white color temperature, speed, spread and memory function.



### Intensity Mode

Touching the intensity key activates intensity mode.



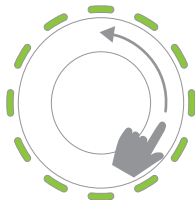
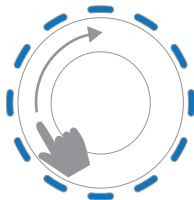
For a quick change of the intensity simply touch the wheel at the desired intensity displayed on the LED ring.

For fine adjustment, scroll the wheel clockwise to increase the intensity, or counterclockwise to decrease the intensity.



### Color Mode

Touching the color key activates color mode.



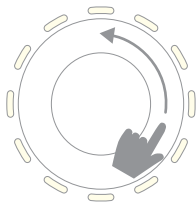
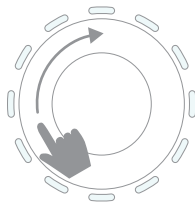
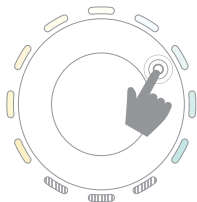
For a quick change of the color simply touch the wheel at the desired color displayed on the LED ring.

For fine adjustment, scroll the touch wheel slowly clockwise or counterclockwise to adjust the color.



### White Mode

Touching the white key activates white mode.



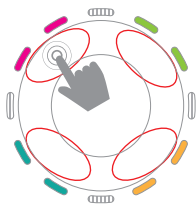
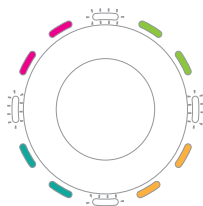
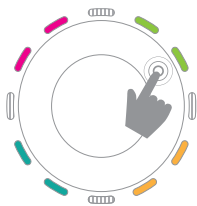
For a quick change of the intensity simply touch the wheel at the desired color temperature displayed on the LED ring.

For fine adjustment, slide the wheel clockwise to for a colder white, and counterclockwise for a warmer white.



### Memory Mode

Touching the memory key activates memory mode.



#### Selecting saved colors

Four saved colors are displayed on four separate areas of the LED ring. Touch the wheel next to two color LEDs to select the displayed color.

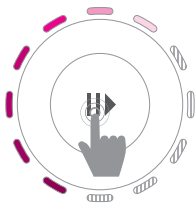
#### Saving colors with the memory function

After selecting a color in any other mode, touch and hold memory key for more than 3 seconds. LED ring will blink to signal that you can now save the current color in one memory slot. Touch the wheel at one of the memory slots, displayed by LED ring (see the encircled areas below).



### Replay Mode

Touching the play/pause key starts or stops the replay mode. In replay mode, user-defined colors change gracefully from one color to the next using a configured spread. See [Configuring the Spread](#) for details.



The LED ring will display a rotating color-chase according to the previously configured speed. Scroll the wheel clockwise to increase and counterclockwise to decrease the speed.



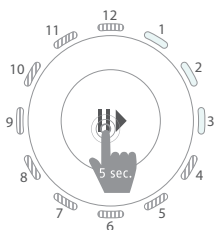
If you choose four colors for the user memories, that are close to each other on the color circle (e.g. orange, red, blue, green) the sequence looks much better as the path from one color to another does not need to go through whole color circle.

### Configuring the Spread

The spread configuration allows the user to apply a color chase effect spread over up to 12 RGB fixtures (i.e. light-points) at a time. If the spread is set to one, then colors will fade from one color to another, saved in memory mode, on all RGB fixtures at the same time.

If the spread is set to greater than one, then fading between colors is distributed over the number of chosen fixtures. As a result, all fixtures will have different

colors equal to the number of chosen fixtures. Press and hold the play/pause key for 5 seconds to configure the spread. The LED-Ring shows the number of defined RGB-fixtures that are used to calculate the spread. Minimum number of fixtures is 1 (all RGB-fixtures show the same color), maximum is 12 (color spread will be repeated after 13th fixture).



*e.g. three fixtures activated*

Touch the wheel at the desired number of fixtures. When finished, wait a few seconds and the unit will go back to replay mode.

### 4.3 Cleaning mode

Touch and hold the on/off key for 5 seconds until the on/off LED is blinking, to activate the cleaning mode.

In cleaning mode, touching the keys or the wheel will be ignored. This option is useful to clean the device without affecting the controls. When finished, wait a few seconds and the unit will automatically come back in the last used mode.

### 4.4 Reset

Touch and hold the memory key for more than 10 seconds until you hear a beep to reset the device to its default values. This includes memory color, speed, intensity and the spreading.

### 4.4 Idle / Stand by

If the keys or wheel are not touched for a few seconds, the unit will go into idle mode, which means that the LED ring and the LEDs will be dimmed.

If the keys or wheel are not touched for one minute, then the unit will go into standby mode, which means that the LED ring on the device will be turned off.

### 4.5 Remote Control

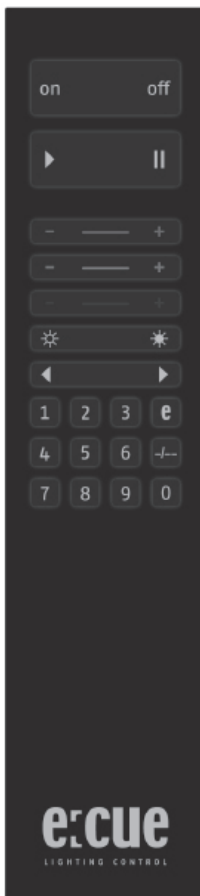
All previously described features are also accessible via remote control, except “configuration of spread”, “cleaning mode” and “reset”.

The unit’s on/off LED will blink when it is receiving IR-remote control signals.

In addition to the four user-defined colors, you can recall four fixed colors (red, green, blue, white) via the buttons “5” to “8” on the remote control.

#### Store:

Press and hold the “e” button for one second, then press the desired number (“1” to “4”) on the remote control to store the adjusted color.



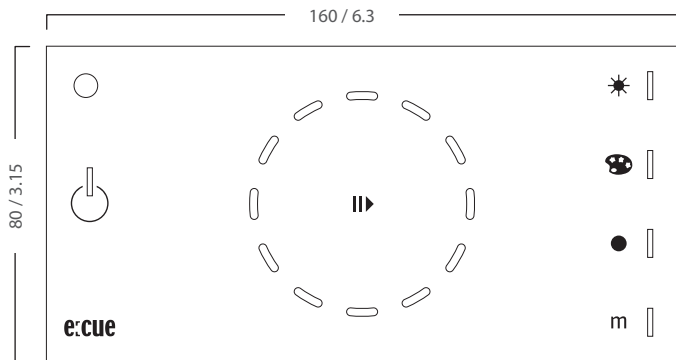
## 5. Technical Data

### 5.1 Technical specifications

<b>Order numbers</b>	
light-drive elite black	AA439160138
light-drive elite white	AA439170138
<b>General Specifications</b>	
Dimensions (WxHxD)	160 x 80 x 11 mm/6.3 x 3.15 x 0.43 in
Weight kg / lbs	0,3 kg / 0.66 lbs
Power	24 V DC, 100 mA (RJ-45)
Operating temperature °C / °F	0 ... 40 °C/32 ... 104 °F
Storage temperature °C / °F	-20 ... 80 °C/-4 ... 176 °F
Operating / storage hum.	0 ... 80%, not condensing
Environment	IP20
Housing	Glass (surface), aluminium (housing)
Mounting	In wall mounting
Certifications	CE
<b>light-drive Specifications</b>	
User interface	Capacitive touch sensor
DMX output	RJ-45
Input	IR (RC5)

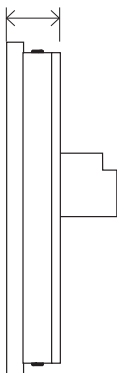
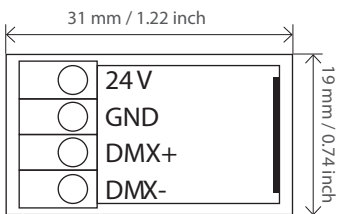
## 5.2 Dimensions

All dimensions in mm and inch  
(mm/inch).



13 mm / 0.51 inch

### Power and data merger

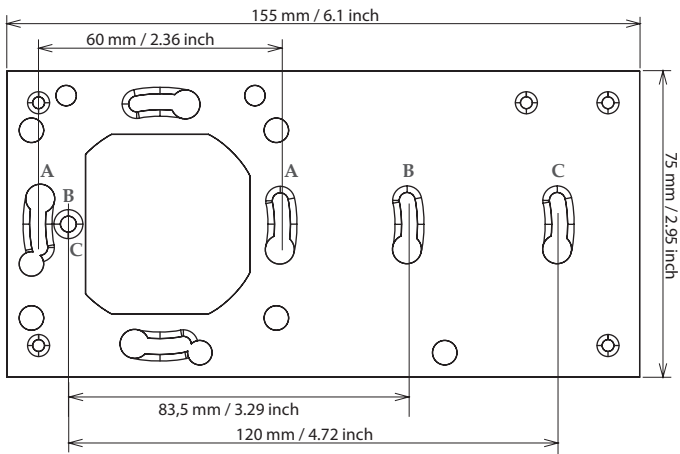




# light-drive elite - Technical Data

---

## Mounting Plate



## 6. Warning Notices



The electronic components are very sensitive to electrostatic discharge (ESD). Be careful not to touch the components. Please do all preparation work on a static-free surface. Please always ensure to wear an antistatic wrist strap.



Any usage other than described in this manual is not permitted, can damage the device and lead to associated risks such as short-circuit, fire or electric shock. If not otherwise noted, no part of the product may be modified or rebuilt.

**e:cue** lighting control is a registered trademark of the e:cue control GmbH. Windows is a trademark of the Microsoft Corporation, Redmond, United States of America. All other company names and / or product names are trademarks and / or registered trademarks of the concerning manufacturer. The products under circumstances don't exactly correspond with the representation. Properties, capacity and technical data depending on the operating system and used hardware can differ. Subject to change without notice!

**e:cue** does not grant guarantee on validity for a particular reason, the marketability or other properties of the product. There is no way to assert a claim to e:cue, not on the legal way nor other ways. e:cue is not responsible for damages, including all disadvantages that are not just limited on loss of sales, that are accrued

- By the use of the product.
- By the loss of serviceability of the product.
- By misuse, happenings, circumstances or actions that e:cue does not have influence, no matter if the damages as well as consequential damages are direct or indirect; whether they are special damages or others, nor if the damage is caused by the owner of the guarantee or third persons.

