

LIGHTDRIVE+ WiFi



LIGHTDRIVE+ WiFi

LIGHTDRIVE+ WiFi fuses dynamic lighting control with a sophisticated design. The wall-mounted user terminal is able to output various scenes and effects in different zones which are set-up via the LIGHTDRIVE+ app. No matter what kind of location you have in mind: bars and restaurants, shops and malls, museums, reception areas ... For any purpose of any scale, be it small or mid-size, LIGHTDRIVE+ WiFi is the easy and straightforward solution for lighting control. The user terminal serves as a standalone DMX512 controller. The focal point of user interaction is the so called Jog Wheel. With this control knob, scenes, zones and effects, such as speed and brightness, can be adjusted in a blink of an eye. The user terminal itself shows a clear and minimalistic design with a high quality glass front panel. LIGHTDRIVE+ WiFi is compatible with all monochrome, dynamic white, RGB und RGBW LED fixtures.

Highlights

- State-of-the-art user interface with elegant appearance
- Set-up via LIGHTDRIVE+ app
- For monochrome, dynamic white, RGB and RGBW LED fixtures
- Two DMX outputs, divided in 3 zones
- 8 scenes in each of the 3 predefined zones
- Pre-defined FX effects
- Integrated scheduler for time trigger
- Integrated proximity sensor
- 2 low-side switches and 2 dry inputs for integration into 3rd party systems

Delivery scope

- LIGHTDRIVE+ WiFi
- Device plugs
- Safety instructions
- Welcome card

Identcode

AM477420038

Optional accessories

- Power Supply 15W 12V DIN rail

AM3137600HA

Product specifications

Dimensions (W x H x D)	80 x 160 x 30 mm / 3.15 x 6.30 x 1.18 inch
Weight	188 g / 0.41 lb
Power supply	PoE IEEE 802.3af, polarity-independent or 12 V DC SELV
Power consumption	typ. 4.5 W, max. 6 W (all LEDs 100 % white), on device plug
Operating temperature	0 ... 35 °C / 32 ... 95 °F
Storage temperature	0 ... 50 °C / 32 ... 122 °F
Op. / storage humidity	0 ... 80% RH, non-condensing
Protection class	IP20
Installation	Indoor installation only, Intra building connections only
Electrical safety class	SELV
Housing	PC/ABS, glass
Mounting	Wall mount housing, suitable for most international in-wall mounted boxes
Certificates	CE, ETL, FCC, UKCA
Real time clock	with capacitor backup, holds time for ~1h

Interface specifications

User interfaces (UI)	12 x capacitive touch key 1 x jog wheel with switch
System interfaces	3 x DIP switch 1 x Ethernet 10/100 Mbit/s, on device plug, max. cable length: 65 m, for synchronization of multiple devices only 1 x USB 2.0 micro USB-B, for update only
DMX outputs	2 x DMX512, on device plug
Fixture types	Monochrome (1 channel) Dynamic White (2 channels) RGB (3 channels) RGBW (4 channels)
Low-side switches	2 x 24 V DC, max. 3 A, ON resistance 50 mΩ, normally open, galvanically isolated, overload protected, on device plug

LIGHTDRIVE+ WiFi

Digital dry contacts 2 x inputs, 5 V DC contact supply, on device plug;
 Input high threshold voltage:
 $V_{IHmin} = 2.5 \text{ V}$
 Input low threshold voltage:
 $V_{ILmax} = 1.2 \text{ V}$
 Typ. input threshold voltage:
 $V_{SW(typ)} = 1.5 \text{ V}$
 Input voltage max.: $V_{INmax} = 15 \text{ V}$

Digital inputs supply For dry contacts
 Use 5 V DC from device (pin 7)
 $V_{SUP} = 5 \text{ V DC}$
 max. 15 mA
 Typ. current when sourcing all 2 ports:
 $I_{typ} = 12 \text{ mA}$

Device plugs

Push-in spring connection plug,
 Stripping length: 6 mm
 Major diameter of isolated cable max.
 2 mm
 Cable cross-section:
 solid: 0.14 ... 0.5 mm²
 flexible: 0.2 ... 0.5 mm²

WiFi

RF frequencies: 2.4 ... 2.473 GHz,
 IEEE 802.11 b/g/n

Sensors

Proximity sensors for UI activation



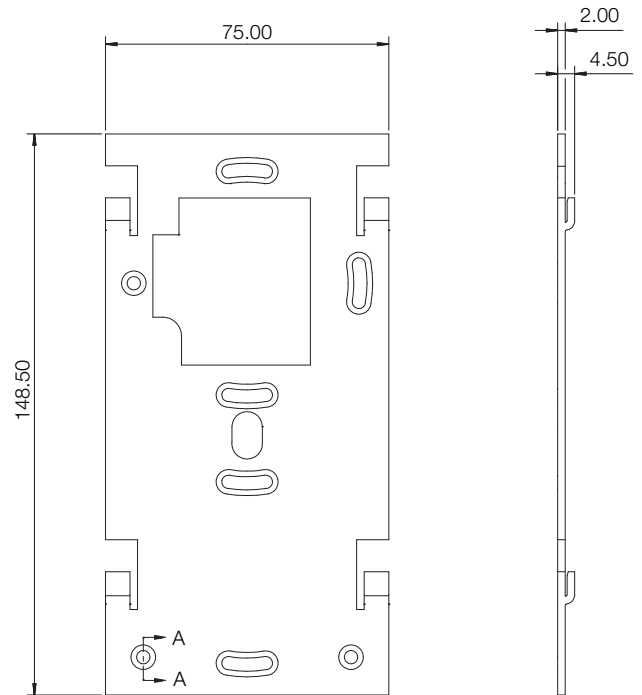
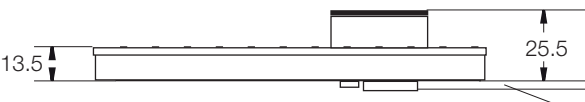
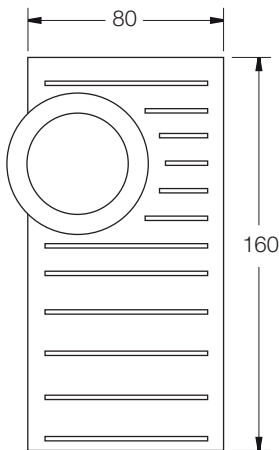
Intertek
 4000842

Conforms to ANSI/UL Std. 62368-1
 Certified to CSA Std. C22.2 NO. 62368-1

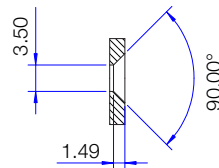


Dimensions

All measures in mm



Sectional drawing A-A
 (all countersunks)



LIGHTDRIVE+ WiFi

System scheme

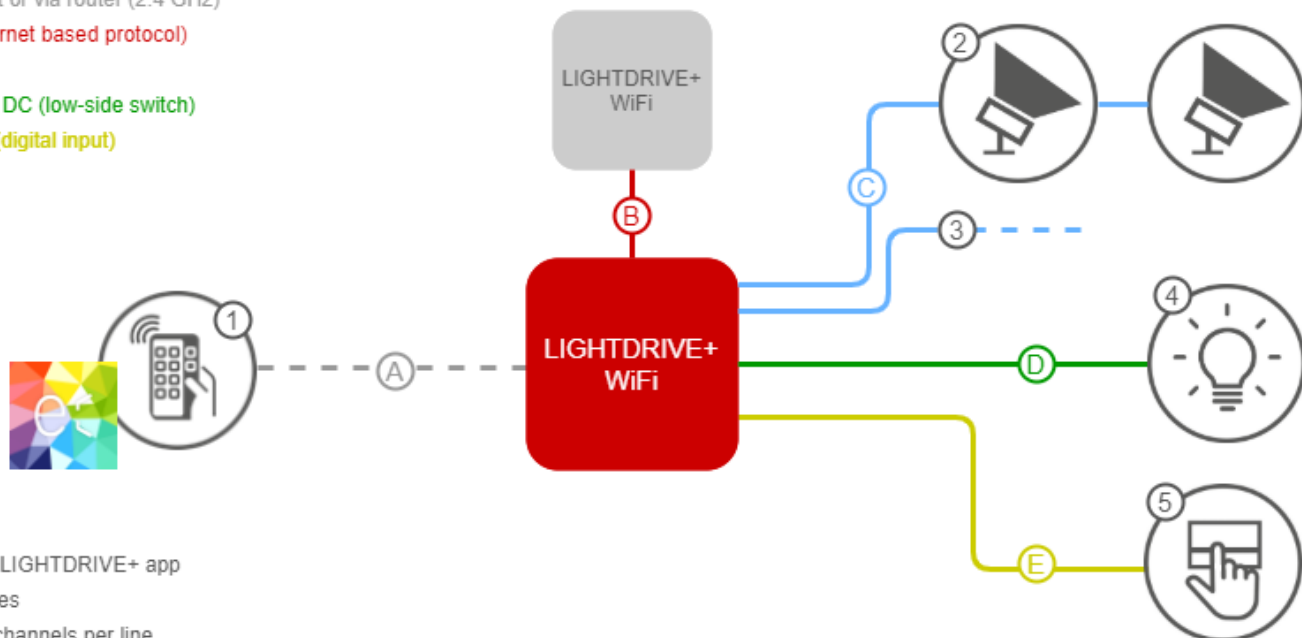
A) WiFi, direct or via router (2.4 GHz)

B) e:net (ethernet based protocol)

C) 2x DMX

D) 2x 4A/24V DC (low-side switch)

E) 2x 5V DC (digital input)



- 1) tablet with LIGHTDRIVE+ app
- 2) DMX fixtures
- 3) up to 512 channels per line
- 4) resistive load
- 5) digital input devices e.g. switch