

## DMX2PWM Dimmer 4CH



### Highlights

- 4 PWM output channels
- Adjustable PWM output resolution ratio (8 or 16 bit) for smooth dimming (via RDM or buttons & display)
- Configurable PWM frequency (0.5 ... 35kHz) for flicker free dimming (via RDM or buttons & display)
- Settable output dimming curve gamma value (0.1 ... 9.9) for true color matching (via RDM or buttons & display)
- Wide input/output voltage range: 12 ... 36 V DC
- 13 personalities to determine how many DMX channels control the PWM output
- Integrated standalone mode with Master Slave functionality for smaller projects
- RDM functionality
- Rich pre-configured scenes
- Built-In display with buttons for easy and user friendly configuration and on-site testing
- Integrated protection against surge on DMX interface

### Delivery Content

- e:cue DMX2PWM Dimmer 4CH
- Welcome note
- Instructions

### Identcode

AM467260055

### Product specifications

Dimensions (W x H x D)	170 x 53.4 x 28 mm / 6.69 x 2.09 x 1.1 in
Weight	170 g
Power input	12 ... 36 V DC (4-pin terminal)
Max. input current at "power input"	20.5 A
Operating temperature	-20 ... 50 °C / -4 ... 122 °F
Storage temperature	-40 ... 85 °C / -40 ... 185 °F
Operation / storage humidity	5 ... 95% RH, non-condensing
Mounting	with key hole on any stable vertical surface
Protection class	IP20
Housing	PC
Certificates	CE, UKCA, RoHS, FCC, UR, TÜV Süd

### e:cue Interfaces

Lighting applications are heterogenous by nature. e:cue interfaces serve to integrate many networks, protocols and third party products into e:cue solutions. They also aid in applying special control functions for fixtures, they integrate analog or mechanical signaling into the digital world and offer bridging functions. e:cue interfaces are the links to bring together the many techniques and technologies of lighting control.

### Interfaces

Input	1 x DMX512 / RDM (3-pin terminal), isolated, surge protection
Outputs	1 x DMX512 / RDM (3-pin terminal) for chaining multiple devices (max. 256), isolated, surge protection 4 x PWM channel (5-pin terminal) for constant voltage + connector: identical to input voltage - connector: low side PWM switch
Max. output current	5 A per channel
Output power	60 ... 180 W per channel
PWM frequency	0.5 ... 35 kHz
PWM output resolution	8 bit or 16 bit
Output dimming curve gamma	0.1 ... 9.9 ga
Always select the power supply output voltage accordingly to your LED fixture input voltage!	
	12 V PSU for 12 V LED
	24 V PSU for 24 V LED
	36 V PSU for 36 V LED

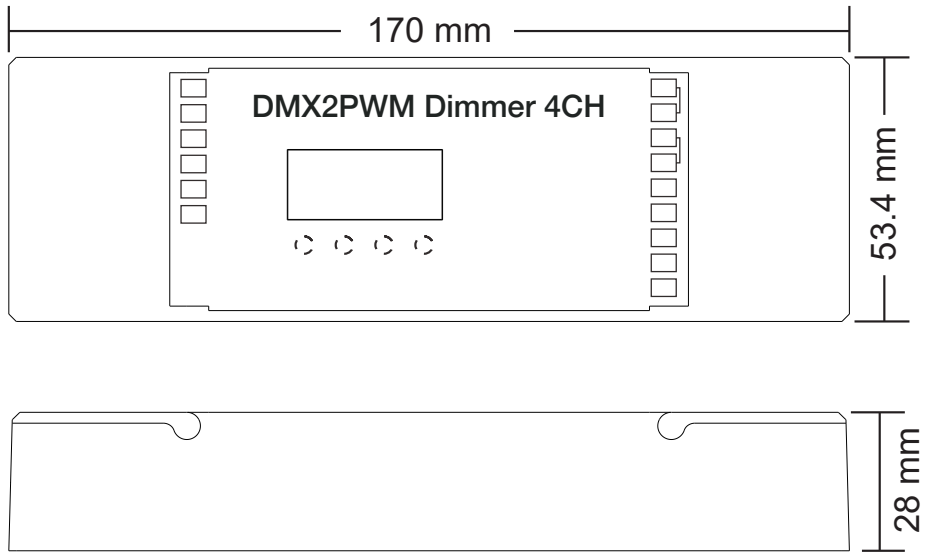
### Terminals

Connection type	Spring terminal connectors
Wire size solid core, stranded wire with end ferrule	0.5 ... 2.5 mm <sup>2</sup> (AWG20 ... AWG13)
Stripping length	6 ... 7 mm / 0.24 ... 0.28 in
Tightening / release of wire	Push mechanism



# DMX2PWM Dimmer 4CH

## Dimensions



## Supported RDM PIDs:

DISC_UNIQUE_BRANCH
DISC_MUTE
DISC_UN_MUTE
DEVICE_INFO
DMX_START_ADDRESS
DMX_FOOTPRINT
IDENTIFY_DEVICE
SOFTWARE_VERSION_LABEL
DMX_PERSONALITY
DMX_PERSONALITY_DESCRIPTION
SLOT_INFO
SLOT_DESCRIPTION
OUT_RESPONSE_TIME
OUT_RESPONSE_TIME_DESCRIPTION
STARTUP_BEHAVIOR
MANUFACTURER_LABEL
MODULATION_FREQUENCY
MODULATION_FREQUENCY_DESCRIPTION
PWM_RESOLUTION
CURVE
CURVE_DESCRIPTION
SUPPORTED_PARAMETERS